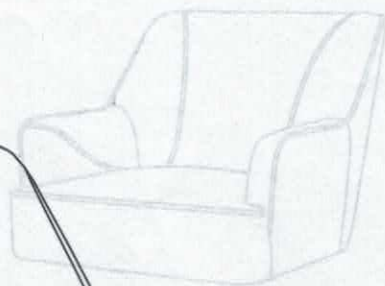

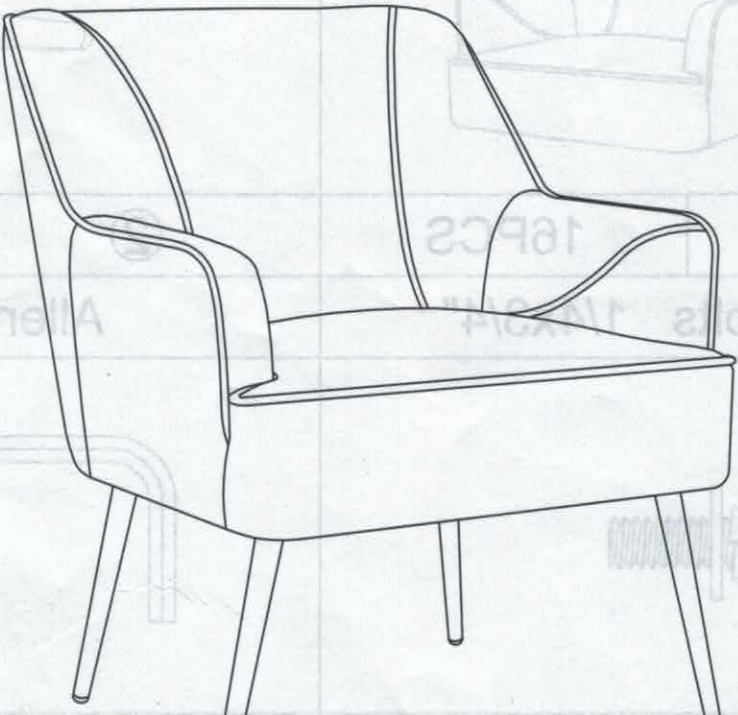



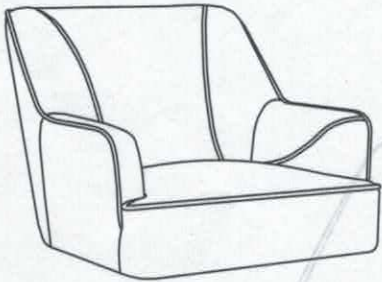


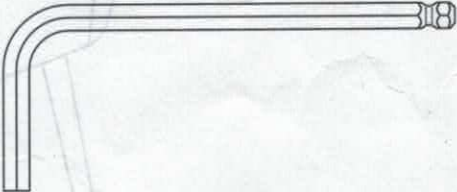
PARTS LIST

PLEASE ALWAYS CHECK EVERY PART BEFORE ASSEMBLY

A	1 PCE	B	4 PCS
Chair Body		Legs	
Allen Bolt	Allen Wrench		

PARTS LIST

PLEASE ALWAYS CHECK EVERY PART BEFORE ASSEMBLY

A	1 PCE	B	4 PCS
Chair Body		Legs	
			
①	16PCS	②	1 PCE
Allen Bolts 1/4x3/4"		Allen Wrench	
			

Tips:

1. For ensuring the entire unit will properly align, secure all the bolts 80% tight, adjust the unit to be evenly aligned, then secure all the bolts completely and tightly.

Step 1: Fasten the Legs (B) to the bottom of Chair Body (A).

